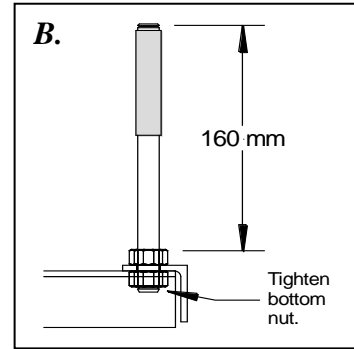
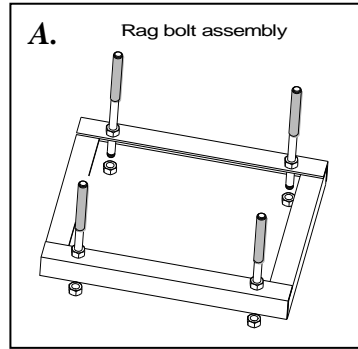
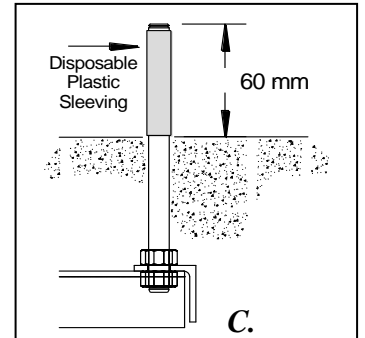


RAGBOLT ASSEMBLY INSTALLATION INSTRUCTIONS.

1. Assemble threaded rods in frame as per diagram **A & B**. (Keep four nuts and washers aside for mounting each pedestal/column.)



2. Set ragbolt into position, encapsulating the service pipes (and sullage branch if applicable), and pour concrete pad.
Minimum 400 x 400 x 150 Depth without sullage.
Minimum 600 x 600 x 150 Depth with sullage.
The top of the concrete pad should be 60mm below the top of the four rods. Use the disposable plastic protective sleeves on each rod as a guide.

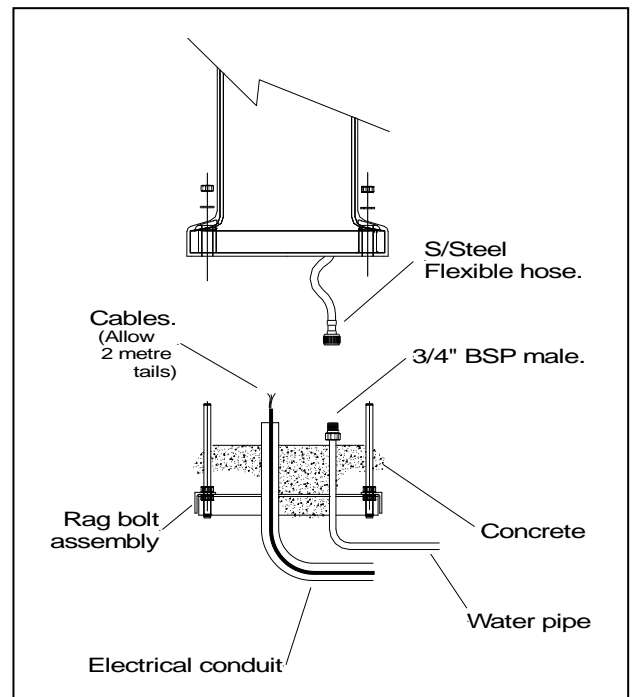


3. Before concrete goes off, ensure tops of rods are level and check squareness using the template provided.

4. Rigid electrical conduit, and water supply pipe (if taps are optional), should finish just above the top of the concrete pad (<80mm). This enables the column to be laid over, horizontally, during installation or future maintenance.

5. The water supply pipe should be fitted with a 3/4" BSP male for connection to the column's stainless steel flexible hose which has a 3/4" BSP female connector.

6. Once electrical and/or plumbing connections are made, slide the column over the threaded rods, (make sure column/powerhead/taps are facing the desired direction) and secure the concrete base using the M10 s/steel nuts and washers provided.



Sales: 1800 639 609

GEELONG

Email: sales@kmacpowerheads.com

Website: www.kmacpowerheads.com